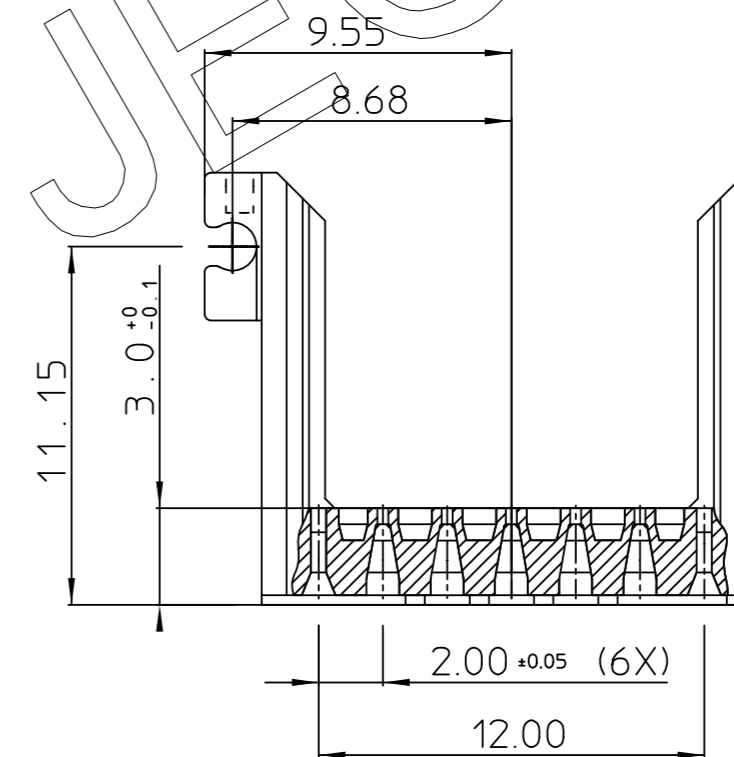
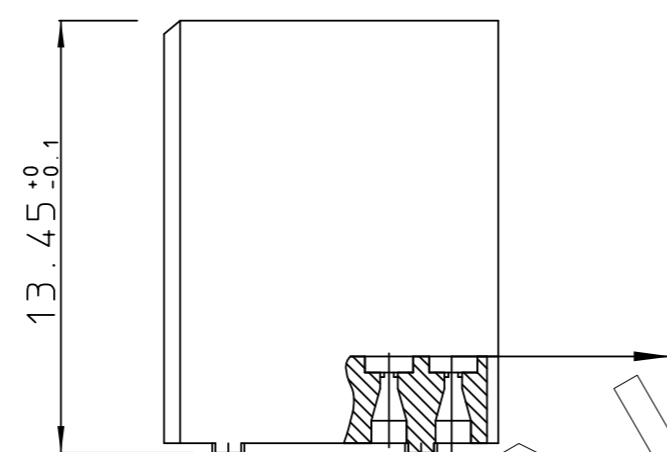
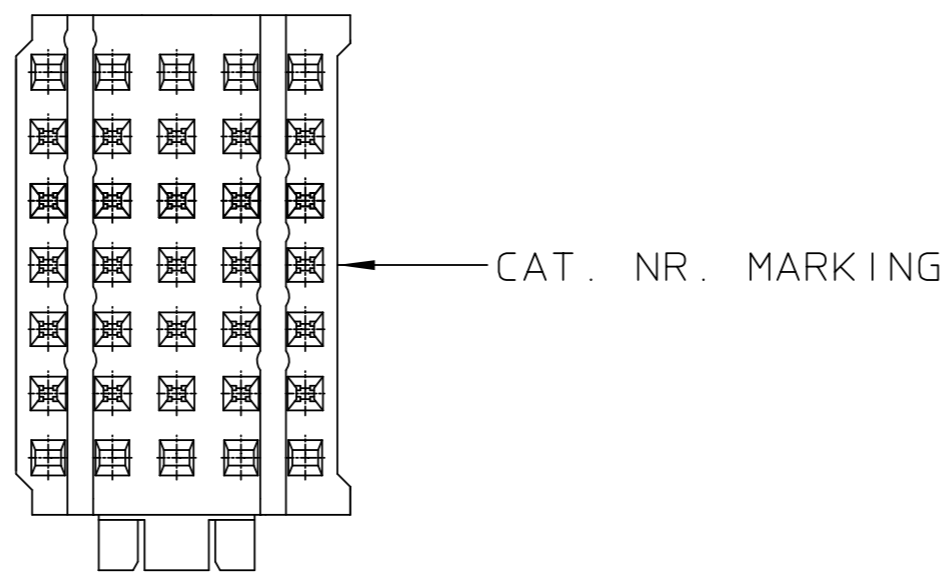


GEN. ST.	01	02	03	04	05	06	07	08	0D	50	60	70	80	90																	
INT. ST.	10	11	12	13	14	18	20	31	32	33	34	38	39	40	42	43	44	45	46	48	56	70	72	73	75	76	81	82	83	84	88

REV.	DATE	DESCRIPTION	BY	C'K'D'
A	13-09-01	CONVERSION REVISION 08	KN	

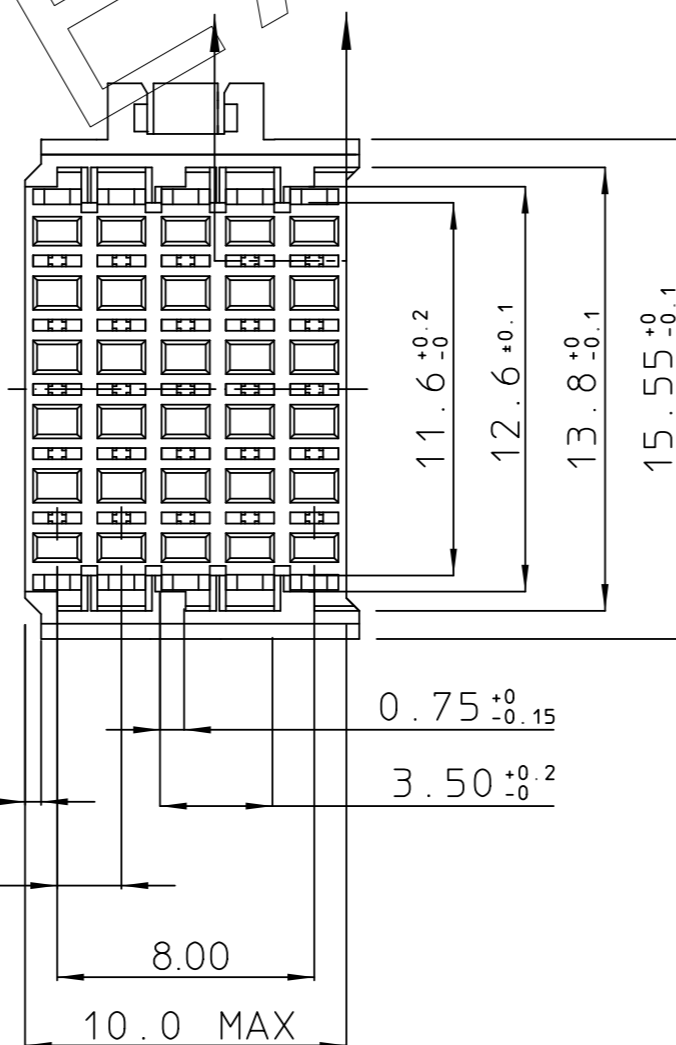
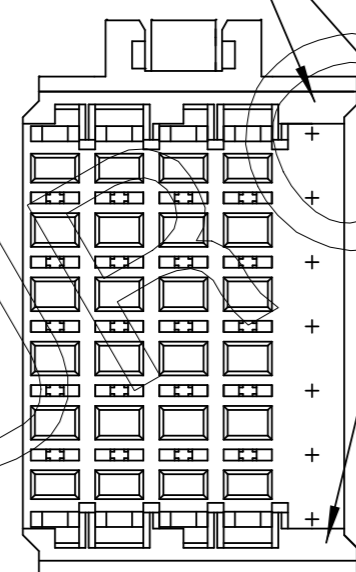
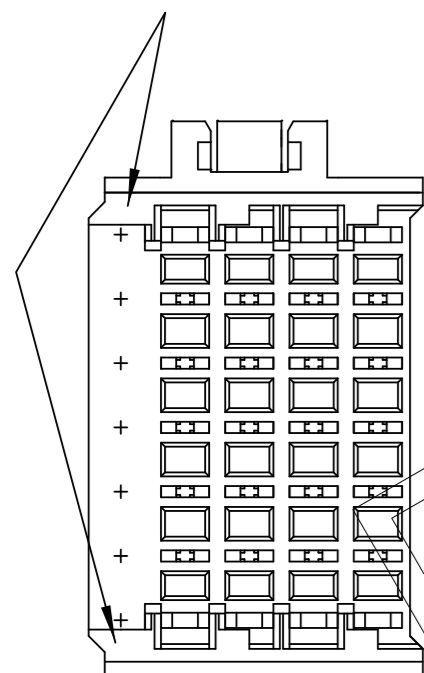


PEAN PROJECTION

DISCRIMINATION IN POS. 1

DISCRIMINATION IN POS. 5

NO DISCRIMINATION



PART NR.		
HM2H04P1	NO DISCRIMINATION	AVAILABLE
HM2H03P1	DISCRIMINATION IN POS. 5	AVAILABLE
HM2H02P1	DISCRIMINATION IN POS. 1	AVAILABLE

NOTES:

-MATERIAL: GLASSREINFORCED POLYESTER UL94-V0

1DEC ± 0,2 1DEC 2DEC ± 0,1 2DEC ANGLES ± 1° HOEKEN	APPR.	DATE	SIGN.	REAR HEADER WITH LOCKING DEVICE (25 POS)
	DRAFT	07-06-93	W.Panis	CAT. No. HM2H0-P1
WE RESERVE THE RIGHT TO CHANGE DIMENSIONS OR REQUIREMENTS WITHOUT PRIOR NOTICE.	CHECKED			SCALE
ALL DIMENSIONS IN MM	PROD. MGR.			FCI FCI MECHELEN N.V. A. SPINOYSTRAAAT 8, 2800 MECHELEN
	PR. ENG. MGR.			3 / 1
	PR. MGT. MGR.			BS,C ,201630,002
ALLE AFMETINGEN IN MM	REFERENCES / REFERENTIES			A
				DRAWING No. CUSTOMER DRAWING REVISION

THIS IS OUR EXCLUSIVE PROPERTY. IT IS NOT TO BE COPIED, REPRINTED OR DISCLOSED TO A THIRD PARTY, NOR USED FOR MANUFACTURING WITHOUT OUR WRITTEN CONSENT, AND HAS TO BE RETURNED TO US IN CASE OF NO USAGE

DIT IS ONZE EIGENDOM EN MAG NOCH NAGEMAAKT, HERDRUKT, OVERGEMAAKT AAN DERDEN, NOCH VOOR FABRIKATIE GEBRUIKT WORDEN, ZONDER ONZE SCHRIFTELIJKE TOELATING. BIJ NIET GEBRUIK IS TERUGZENDING VERPLICHT.